

SL. NO. NOTES

1 FOR NOTES REF DRG NO CEPZ / 2016 / TD / 03, SHT NO 1/3.

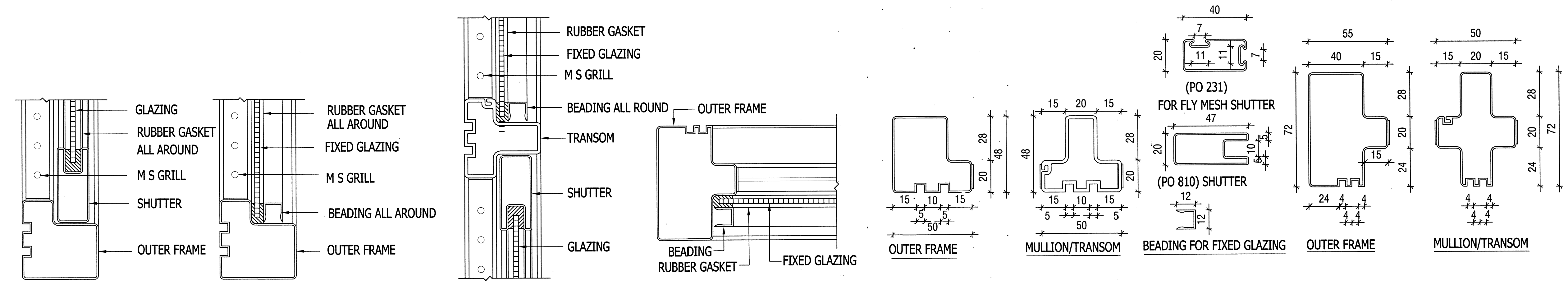
1	CORRECTED UP TO DATE	28-8-20	
SL. NO.	DESCRIPTION	DATE	SIGN.

REVISIONS
 ROLLED FORMED GI COLOUR COATED
 TYPICAL DETAILS OF STEEL WINDOWS &
 VENTILATORS (BOX SECTION)

SECTIONAL DETAILS

DRN	CHIEF ENGINEER PUNE ZONE PUNE	DATE	22-09-2018
TCD		SCALE	AS SHOWN
CKD			

AAD (ARCH)	ARCHITECT	DIRECTOR (ARCH) FOR CHIEF ENGINEER



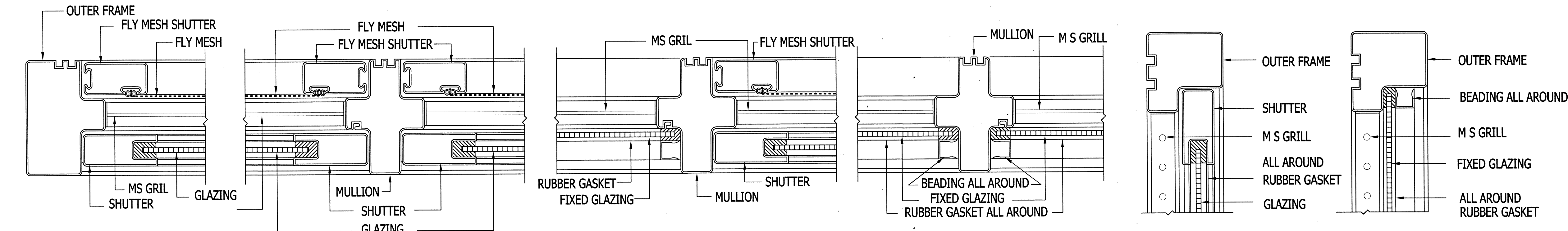
DETAIL AT 'J'

DETAIL AT 'N'

DETAIL AT 'M'

DETAIL AT 'E1'

DETAILS OF FRAMES



DETAIL AT 'A1'

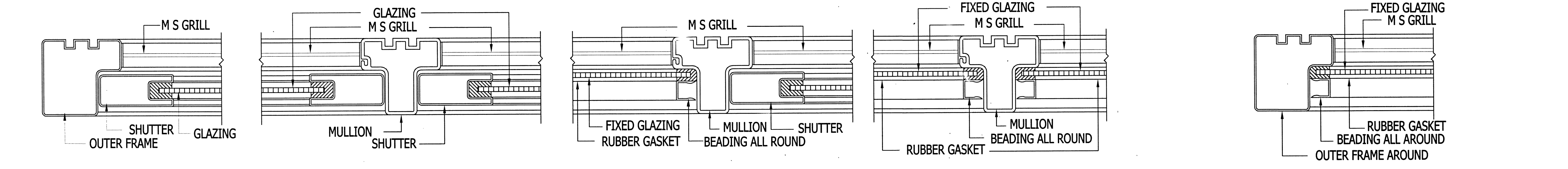
DETAIL AT 'B1'

DETAIL AT 'C1'

DETAIL AT 'D1'

DETAIL AT 'K'

DETAIL AT 'L'



DETAIL AT 'A'

DETAIL AT 'B'

DETAIL AT 'C'

DETAIL AT 'D'

DETAIL AT 'E'